

METAL BASE

METAL BASE WITH PADDED SEAT

0031 – MET



DIMENSION		FINISHING		PACKING	
Height	77	Base	Metal	Height	85
Width	45	Seat	Beech Multilayer - Thickness 11 mm	Width	56
Depth	45			Depth	70
Sitting Height	47	Padding Mat.	Foam Rubber (cm)	Pieces for Pckg	2
			- Frightened Back	Gross Weight	14
			- Frightened Seat	cu.m.	0.33
			- Front Back		
			- Rear Back		
			Density		
			PCM 40 Kg/cu.m.		
			- Fireproof		

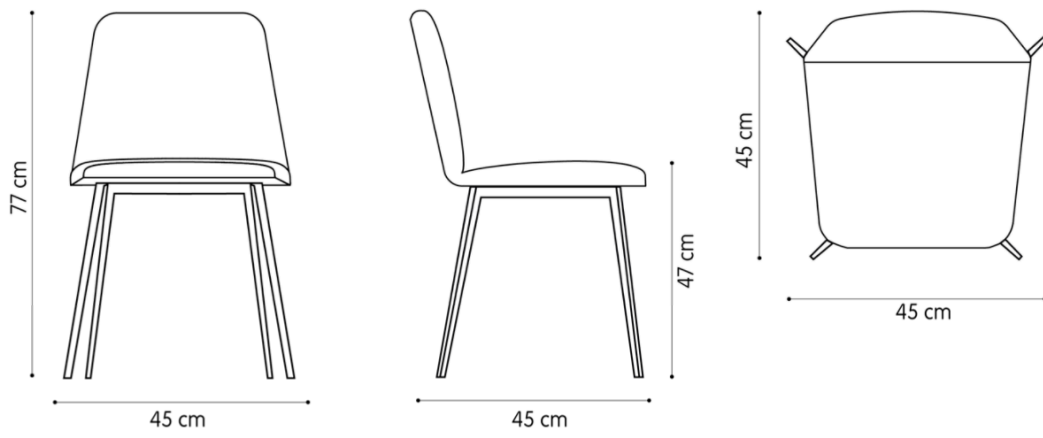
METAL BASE WITH PADDED SEAT

0032 – MET

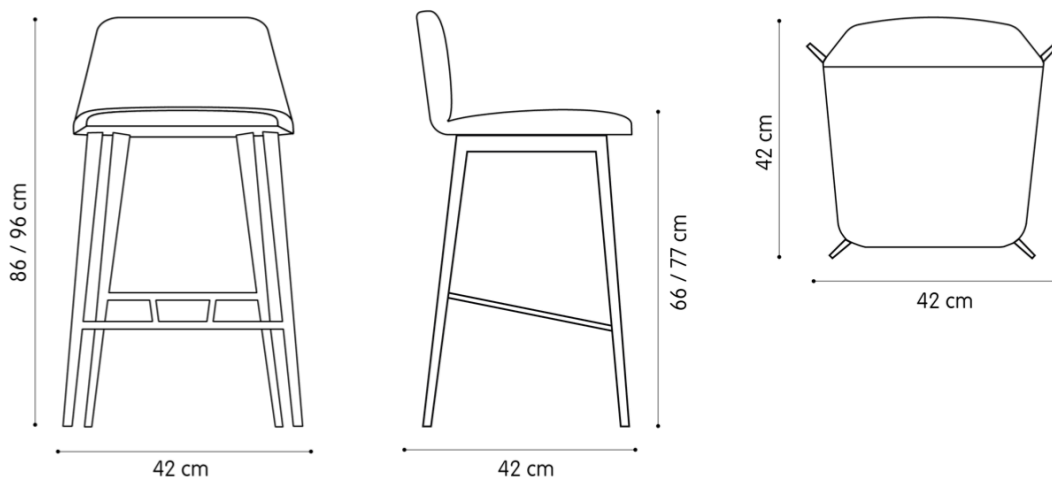


DIMENSION		FINISHING		PACKING	
Height	86 96	Base	Metal	Height	100
Width	42 42	Seat	Beech Multilayer - Thickness 11 mm	Width	44
Depth	42 42			Depth	46
Sitting Height	67 77	Padding Mat.	Foam Rubber (cm)	Pieces for Pckg	1
			- Frightened Back	Gross Weight	8
			- Frightened Seat	cu.m.	0.22
			- Front Back		
			- Rear Back		
			Density		
			PCM 40 Kg/cu.m.		
			- Fireproof		

Art. 0031 - MET



Art. 0032 - MET



FINISHINGS

WOOD

Beechwood Bleached 25
Beechwood Tortora 08
Beechwood Mahogany 09
Beechwood Grey10
Beechwood Black Aniline11
Beechwood Walnut 12
Beechwood Wengè 26

LACQUERED BASIC

White RAL 9010
Sand RAL 7044
Black RAL 9011
Tortora RAL 7006
Grey RAL 7010
Dark Brown RAL 8019
Dark Green RAL 6003
Oil Green RAL 6000
Blue Sea RAL 6034
Sage Green RAL 6013

LACQUERED FASHION

Bordeaux RAL 3004
Red RAL 3013
Anthracite Grey RAL 7016
Antique Pink RAL 3012
Pink NCS 1021
Violet RAL 4008
Bluette RAL 5009
Yellow RAL 1003
Brick RAL 3009
Red Pomegranate RAL 3031

COVERINGS

C CATEGORY

JET - Fidivi (100%Trevira)
FOX - Fidivi (100%Trevira)
INCAS - Fidivi (100%Trevira)
SKILL - Flukso (69%PVC - 20%PES - 10%CO - 1%PU)
ALCE - Mam (30%CO - 1%PU - 69%PVC)
TIME - Mam (10%CO - 20%PES - 1%PU - 69%PVC)
PLATINUM - Flukso (82%PVC - 18%PES)

D CATEGORY

FENICE - Pugi (75%Lana - 25%Poliammide)
VEGA VELVET - (Glamour 100%Poliestere)
BUBBLE - Flukso (100%PES)
PIQUANT - Flukso (100%PES)
SALO' - L'interno (55%CO - 21%VI - 10%PL - 9%LI - 5%PC)
MALCESINE - L'interno (52%CO - 23%VI - 17%PL - 8%LI)
BARDOLINO - L'interno (75%CO - 25%PL)
SIRMIONE - L'interno (49%CO - 23%PL - 19%VI - 9%LI)
ASPECT - Camira - (75%Trevira CS - 25%Poliestere)
XTREME - Camira (100%Poliestere Riciclato)
IMPERIA - L'interno (46%CO - 30%VI - 14%LI - 10%PC)

E CATEGORY

SYNERGY - Camira (95%Lana - 5%PL)
TRACK - Camira (100%Trevira CS)
AIDO - Glamour (56%CO - 44%VI)
GULP - Glamour (56%CO - 44%VI)
NOBILI - Velluto - L'interno (100%CO)

F CATEGORY / LEATHER / THICK LEATHER

Pelle Soft - Panama DANI
Pelle Soft Stampa Madras - Box Land DANI
INDIVIDUO - Camira (95%WOOL - 5%PL)

LUXURY

NOBILI trapuntato velluto - L'interno (100%CO)
Pelle soft - Florida Dani
Nabuk - Venere

METAL

STANDARD COLOURS

White RAL 9016
Black RAL 9005
Red Bordeaux RAL 3004
Tortora RAL 7006
Anthracite - Lead
Brown - Bronze